

ENG. NO SDA-73100-0223

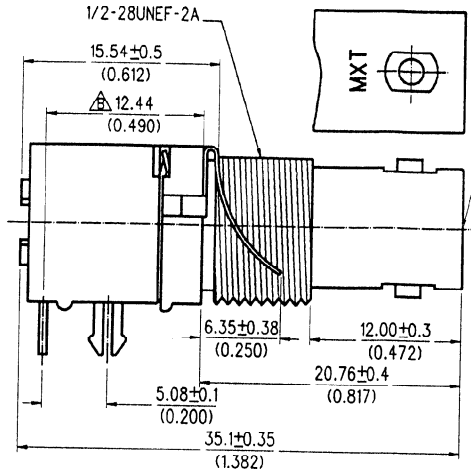
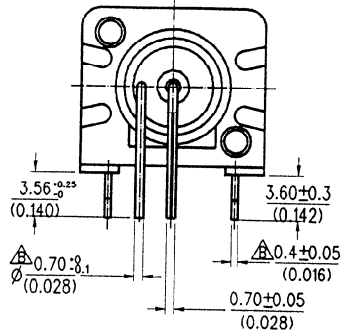
EDP NO

SIMILAR ITEM 73100-0090

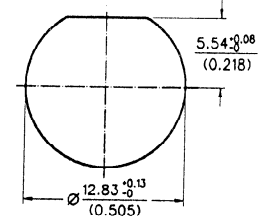
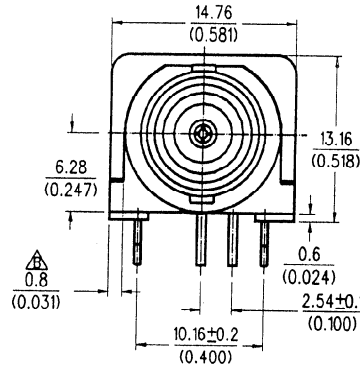
CAD FILE NO. S1000223.DGN

DO NOT SCALE DRAWING

8 7 6 5 4 3 2 1



INTERFACE PER MOLEX STANDARD ES-73599-0000



RECOMMENDED MOUNTING HOLE  
RECOMMENDED MOUNTING TORQUE : 5.0 IN-LBS MAX.  
PANEL THICKNESS : 5.5 mm MAX.

**CONSTRUCTION:**

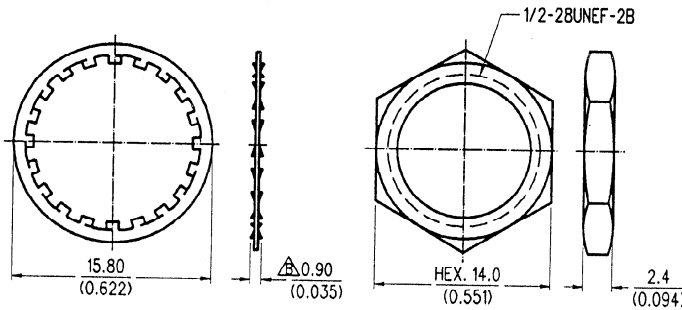
- BODY-----ZINC ALLOY
- HOUSING-----VALOX 420-SEO BLACK
- CENTER CONTACT---PHOSPHOR BRONZE
- △ DIELECTRIC-----POLYPROPYLENE (94 V-2)
- △ SOLDER TAIL-----COPPER OVER STEEL WIRE
- FRONT CLIP-----PHOSPHOR BRONZE
- CHIP CAPACITOR-----MULTILAYER CERAMIC
- BOARD LOCK CLIP---PHOSPHOR BRONZE (C52100, GRADE H10)
- △ LOCK WASHER-----PHOSPHOR BRONZE
- △ NUT-----BRASS

**FINISH:**

- BODY-----NICKEL PLATING
- △ CENTER CONTACT---GOLD PLATING (10u")
- SOLDER TAIL-----TIN PLATING
- FRONT CLIP-----NICKEL PLATING
- BOARD LOCK CLIP---TIN PLATING
- △ LOCK WASHER-----NICKEL PLATING
- △ NUT-----NICKEL PLATING

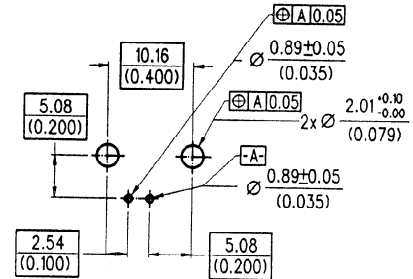
**MECHANICAL & ELECTRICAL CHARACTERISTICS:**

- △ PER PRODUCT SPECIFICATION PS-73598-0010
- MATERIAL & FINISHES:**
- △ PER PRODUCT SPECIFICATION PS-73598-0010
- PACKAGING:**
- TRAY PACKAGING



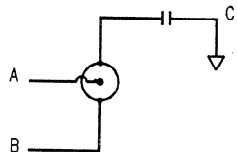
LOCK WASHER

JAM NUT



PCB HOLE CONFIGURATION

9400 ±20% PF, 1.5 KV W V<sub>dc</sub>



SCHEMATIC

|   |  |  |  |  |  |
|---|--|--|--|--|--|
| MATERIAL : SEE NOTES  |  |  |  | MOLEX TAIWAN LTD. (R.F. DIVISION)            |  |
| FINISH : SEE NOTES  |  |  |  | GENERAL TOLERANCES                           |  |
| SCALE : 2.5:1 (UNIT : mm(INCH))   |  |  |  | ANGLE : ± 3° DIM. ± 0.25 (± 0.01)            |  |
| DRAWN BY : IRIS WANG 95/03/07   |  |  |  | DRW. NO. : SDA-73100-0223 REV B              |  |
| CHK'D BY : Iris Wang 95/10/19   |  |  |  | TITLE : 50 OHM FILTER BNC R/A PCB RECEPTACLE |  |
| LTR REVISION RECORD ECN DR DATE APPR'D BY : [Signature]                           |  |  |  | SHEET 1 OF 1                                 |  |
| STANDARD ITEM <input type="checkbox"/> YES <input checked="" type="checkbox"/> NO |  |  |  |  |  |

THIS DRAWING CONTAINS INFORMATION THAT IS PROPRIETARY TO MOLEX TAIWAN AND SHOULD NOT BE USED WITHOUT WRITTEN PERMISSION MXT, So - 13